

INDUCTANCE

0.97 mH

LOSSES

19 Watts

WEIGHT

14 Lbs

NO.

CHANGE DESCRIPTION

BY

DATE

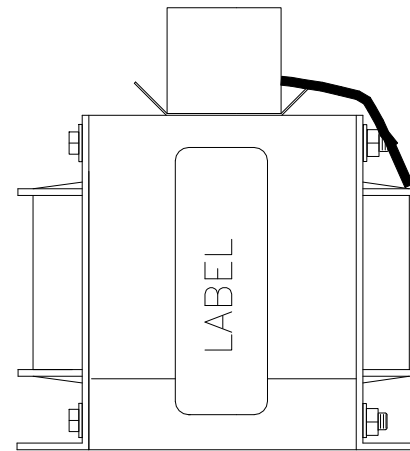
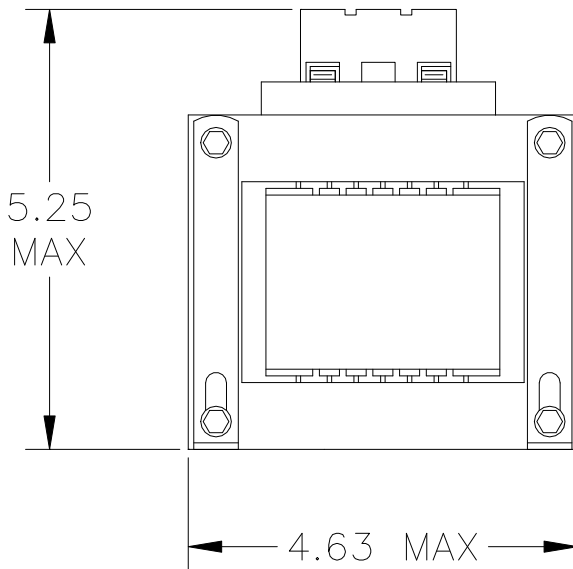
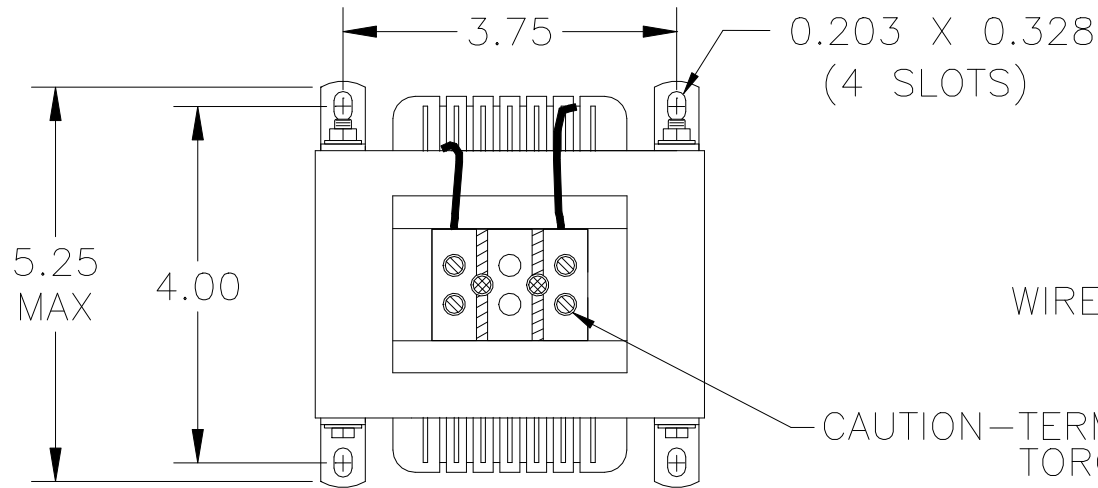
C'K'D

04

REVISED PER ECR 7175, ADDED CD

RS

8/23/10



UNLESS OTHERWISE SPECIFIED, DIMENSIONS ARE IN INCHES [mm] AND TOLERANCES ARE:

DECI.

FRAC.

ANGLES

DRILLED HOLES

PART NAME:

DC LINK CHOKE

DESCRIPTION:

OUTLINE DIMENSION

FINISH:

MTE CORPORATION  
MENOMONEE FALLS, WISCONSIN

CD 50RB002

REV.  
04

SCALE NTS

DATE 01/29/96

C'K'D

REF.

DR. BY CEL

APP'D

FILE: